



DISTRIBUTOR

Innovation in wood

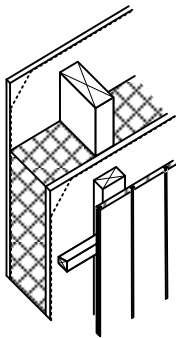
Accoya® is the world's leading high technology wood. It is produced from sustainably sourced, fast growing softwood using a non-toxic modification process, resulting in a durable, stable and beautiful material with excellent performance characteristics and providing for a minimum 50 year above ground life.

### SUB-FRAME

Like all cladding materials, Accoya cladding performs best when installed properly on a suitable frame and in a ventilated façade system - characterised by continuous ventilation behind the cladding boards, through ventilation in- and outlets situated at the top and bottom of the façade. This ensures rain water and condensation behind the cladding to be removed and for the insulation to retain its effectiveness.

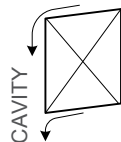
The sub-frame the cladding is fastened to should have a maximum spacing of 600 mm on center and should consist of vertical timber battens of at least 38 x 19 mm when fully supported by a substrate. Horizontal battens and counter battens should be at least 50 x 25 mm. Support battens used with Accoya should be of a durability class 1 or 2.

In case of a discoloration risk of the cladding boards because of leaching of extractives from the timber sub-frame, apply a barrier between the sub-frame battens and the boards. Timber support battens should not be used above 18 m building height.



In case of vertical cladding, best practice is a double sub-frame where horizontal support battens are fastened on vertical counter battens. The horizontal battens should be chamfered at the top side, shedding water into the cavity.

The lowest batten should slant inward at the bottom, creating a drip lip at the intersection with the counter battens.



If only horizontal support battens are used, additional measures need to be taken to ensure sufficient ventilation (500 mm<sup>2</sup> per m horizontal length), e.g. by making cut-outs in the battens or interrupting the battens at regular intervals, staggered relative to each other. In this case it is preferable if the horizontal battens are chamfered on the top edge to shed any water outwards. Water penetration at the end grain of vertical battens should be avoided by applying a suitable sealer.

## ACCOYA® CLADDING UK ON A TIMBER FRAME

Accoya is suitable for standard cladding types, and in general the installer should follow the same recommendations for fitting as with traditional wood cladding, requiring no special detailing or tools, and performs best when installed properly on a suitable frame.

Accoya wood can be cut, profiled and routed to specified designs without encountering restrictions or issues associated with the instability of traditional wood cladding while maintaining its durability.

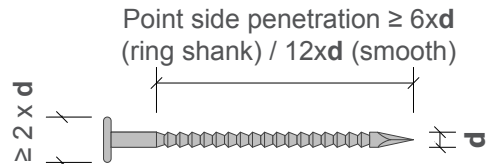
### FASTENERS

Accoya can be face fixed onto the timber sub-frame with ring shank (or other improved) nails or screws (raised or round head). As Accoya is slightly acidic, like most durable woods, it is recommended to use stainless steel grade 1.4301 (general applications) or grade 1.4401 (for coastal or industrial sites).

Stapling is not recommended, nor to drive the nail or screw heads into the wood. T-nails should not be used for external cladding as they offer little resistance to axial withdrawal. Lost head nails should also be avoided as they offer little resistance to pull-through.

To ensure a durable and lasting fixation, the boards should be fixed with at least 50 mm clearance to the end of the board (pre-drill holes to 1 mm less than the screw shank diameter or 80% of the nail diameter). The minimum distance to the top and bottom edge of the boards is 15 mm.

The recommended point side penetration of nails into the sub-frame is at least 6xd for ring shank or 12xd for smooth nails. If the nail head is larger than twice the shank diameter, assumedly pull-through will not occur, as the pull-through resistance exceeds the withdrawal resistance.



### COATINGS

Coatings are applied to Accoya for largely aesthetic reasons. Please refer to the general guidance given in the brochures provided through accoya.com and the applicable advice from coating manufacturers.

UK Accoya Cladding V11.15 - these guidelines have been written for pro-fessionals wishing to use Accoya to create beautiful, reliable and highly du-rable end products. Should you require further information, please contact Accsys through www. accoya.com.

The drawing shows the rough principles but are not meant to contain actual products. The system used must be designed to the specific project requirements, in accordance with all applicable building standards and regulations. The strength of the total system - spacing, number and type of fasteners required for the occurring wind load - must always be checked by a licensed engineer. To the best of the knowledge and belief of Accsys Technologies PLC the information contained in this document is in accordance with common building practice and is provided on the basis that Accsys Technologies and/or any of its affiliates, officers, employees or advisers are not liable for any loss or damage whatsoever in respect of the accuracy or completeness of such information or the result of having acted upon it.



ACCOYA® and the Trimarque Device are registered trademarks owned by Titan Wood Limited, Trading as "Accsys Technologies", a wholly owned subsidiary of Accsys Technologies PLC. The trademarks ACCOYA® and the Trimarque Device may not be used or reproduced without written permission from Accsys Technologies. ACCOYA® wood should always be installed and used in accordance with the written instructions and guidelines of Accsys Technologies and/or its agents (available upon request). Accsys Technologies accepts no liability for any defect, damage or loss that may occur where such written instructions and guidelines are not adhered to. No liability is accepted in relation to any coating, fastener or other product of a third party applied to ACCOYA® wood. Please refer to [accoya.com/downloads] for further information and full terms and conditions.





DISTRIBUTOR

Innovation in wood

Title	Accoya cladding		
Detail	James Latham profiles		
Section	vert + hor	Date	08.09.2015
Scale	1:2	Version	1.0 / HWI

Because of the improved stability of the Accoya wood, the gap needed between the height of the boards is very limited, and can be as little as 1 mm. This permits spacing to be built into the profile rather than use of a spacer on site.

The speed of installing Accoya® cladding boards can be increased significantly by the crusher bead milled into the James Latham tongue and groove profile.

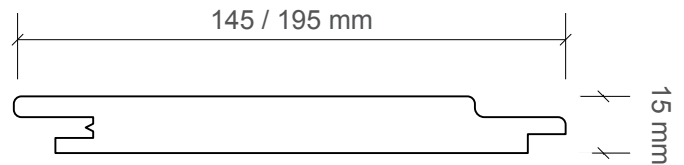
This bead will insure the necessary spacing when installing the boards without additional measures. If and when the boards move relative to each other, this small triangle of material will be easily pressed together, 'releasing' the necessary distance.

When meeting other construction elements and/or between the length of two boards, a free space of 5 - 10 mm should be allowed for.

When this free space is left open, a vermin mesh might be required at certain joint widths. Please check local building codes to verify requirements.



James Latham LT AC 01  
tongue and groove profile  
for horizontal cladding



James Latham LT AC 02  
tongue and groove profile  
for vertical cladding

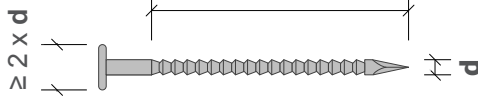
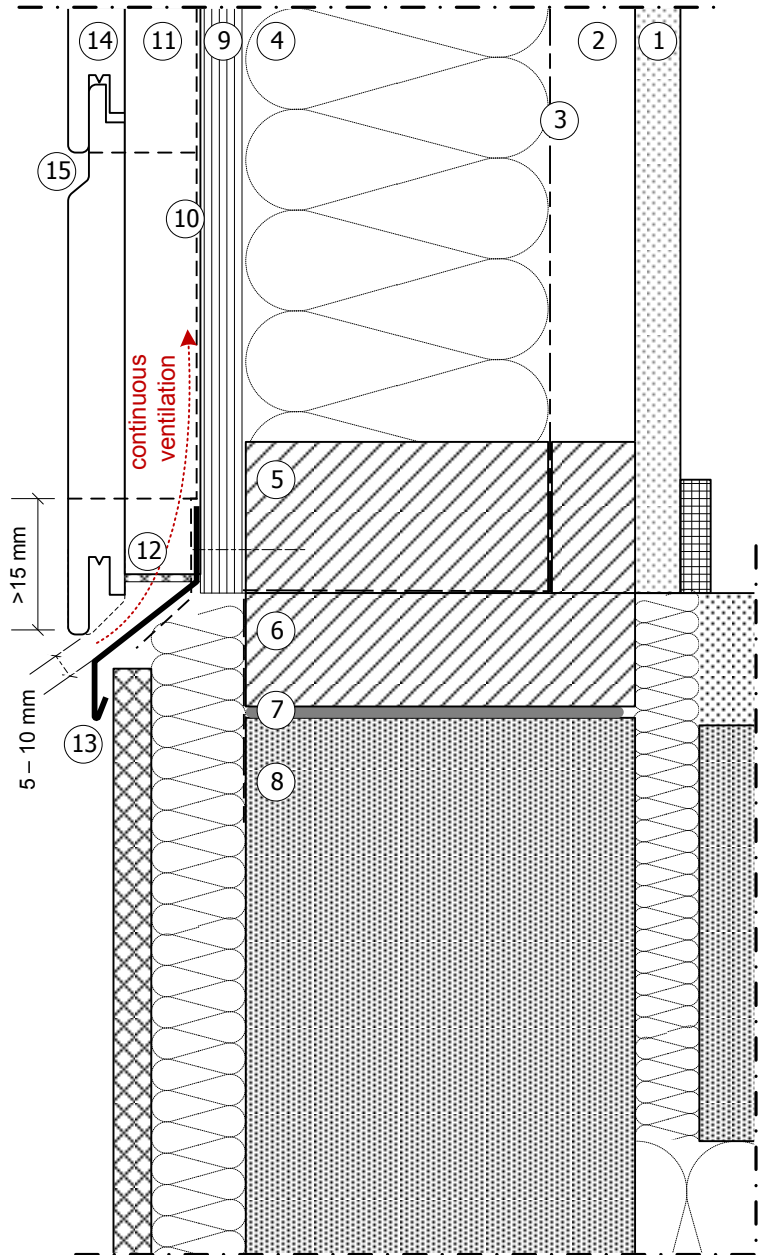
The drawing shows the rough principles but are not meant to contain actual products. The system used must be designed to the specific project requirements, in accordance with all applicable building standards and regulations. The strength of the total system - spacing, number and type of fasteners required for the occurring wind load - must always be checked by a licensed engineer. To the best of the knowledge and belief of Accsys Technologies PLC the information contained in this document is in accordance with common building practice and is provided on the basis that Accsys Technologies and/or any of its affiliates, officers, employees or advisers are not liable for any loss or damage whatsoever in respect of the accuracy or completeness of such information or the result of having acted upon it.



ACCOYA® and the Trimarque Device are registered trademarks owned by Titan Wood Limited, Trading as "Accsys Technologies", a wholly owned subsidiary of Accsys Technologies PLC. The trademarks ACCOYA® and the Trimarque Device may not be used or reproduced without written permission from Accsys Technologies. ACCOYA® wood should always be installed and used in accordance with the written instructions and guidelines of Accsys Technologies and/or its agents (available upon request). Accsys Technologies accepts no liability for any defect, damage or loss that may occur where such written instructions and guidelines are not adhered to. No liability is accepted in relation to any coating, fastener or other product of a third party applied to ACCOYA® wood. Please refer to [accoya.com/downloads] for further information and full terms and conditions.



- 1 Room lining (such as plaster board).
- 2 Service void (optional, may also be filled with insulation material).
- 3 Air barrier / vapour control layer.
- 4 Wall structure (wooden structural frame filled with a suitable insulation material of sufficient thickness to achieve required values).
- 5 Wooden structural frame.
- 6 Soleplate.
- 7 DPC.
- 8 Wall and floor structure, details to be designed in line with strength and insulation requirements.
- 9 Structural sheathing board.
- 10 Water repellent breather membrane - UV resistant in case of open joints.
- 11 Vertical timber battens of at least 38 x 19 mm of durability class 1 or 2.
- 12 Vermin mesh of corrosion resistant metal, hole width  $\leq 4$  mm. Void area in line with ventilation requirements.
- 13 Preformed corrosion resistant metal flashing.
- 14 Accoya® LT AC 01 horizontal cladding board, available from James Latham in 15x145 and 15x195 mm.
- 15 Ring shank or other improved nails:
  - grade 1.4301 (general applications) or grade 1.4401 (coastal or industrial sites)
  - Holes pre-drilled:
    - 1 mm less than nail  $\varnothing$
    - to 80% of screw shank  $\varnothing$

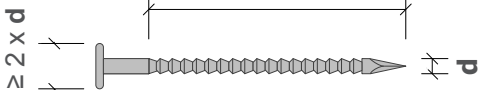
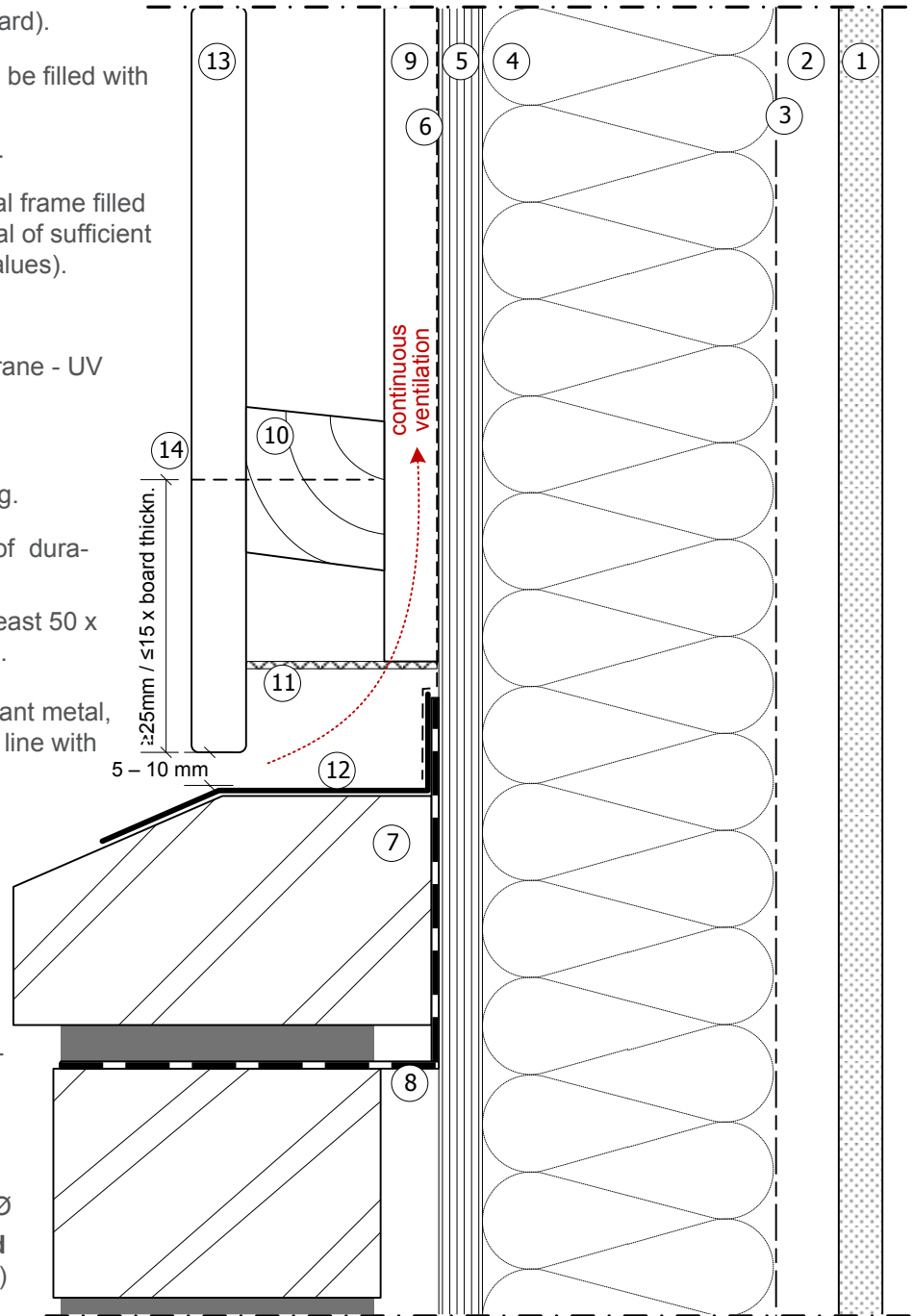


It is recommended to position the cladding above the splash zone, between ground level and a height of 200 to 250 mm. This will avoid rain water splashing onto the boards, which can cause staining and reduce the service life of coatings. Applying a gravel section below the cladding is recommended.

The drawing shows the rough principles but are not meant to contain actual products. The system used must be designed to the specific project requirements, in accordance with all applicable building standards and regulations. The strength of the total system - spacing, number and type of fasteners required for the occurring wind load - must always be checked by a licensed engineer. To the best of the knowledge and belief of Accsys Technologies PLC the information contained in this document is in accordance with common building practice and is provided on the basis that Accsys Technologies and/or any of its affiliates, officers, employees or advisers are not liable for any loss or damage whatsoever in respect of the accuracy or completeness of such information or the result of having acted upon it.

- 1 Room lining (such as plaster board).
- 2 Service void (optional, may also be filled with insulation material).
- 3 Air barrier / vapour control layer.
- 4 Wall structure (wooden structural frame filled with a suitable insulation material of sufficient thickness to achieve required values).
- 5 Structural sheathing board.
- 6 Water repellent breather membrane - UV resistant in case of open joints.
- 7 Brick base or cladding.
- 8 500 micron polyethylene flashing.
- 9 Vertical timber counter battens of durability class 1 or 2.
- 10 Horizontal timber battens of at least 50 x 25 mm, of durability class 1 or 2.
- 11 Vermin mesh of corrosion resistant metal, hole width  $\leq 4$  mm. Void area in line with ventilation requirements.
- 12 Code 4 lead flashing.
- 13 Accoya® LT AC 02 vertical cladding board, available from James Latham in 15x145 mm and 15x195 mm.
- 14 Ring shank or improved nails:
  - grade 1.4301 (general applications) or grade 1.4401 (coastal or industrial sites)
  - Holes pre-drilled:
    - 1 mm less than nail  $\varnothing$
    - to 80% of screw shank  $\varnothing$

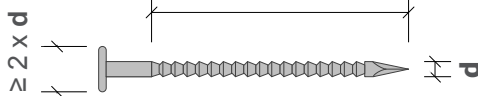
Point side penetration  $\geq 6xd$  (ring shank) /  $12xd$  (smooth)



The drawing shows the rough principles but are not meant to contain actual products. The system used must be designed to the specific project requirements, in accordance with all applicable building standards and regulations. The strength of the total system - spacing, number and type of fasteners required for the occurring wind load - must always be checked by a licensed engineer. To the best of the knowledge and belief of Accsys Technologies PLC the information contained in this document is in accordance with common building practice and is provided on the basis that Accsys Technologies and/or any of its affiliates, officers, employees or advisers are not liable for any loss or damage whatsoever in respect of the accuracy or completeness of such information or the result of having acted upon it.

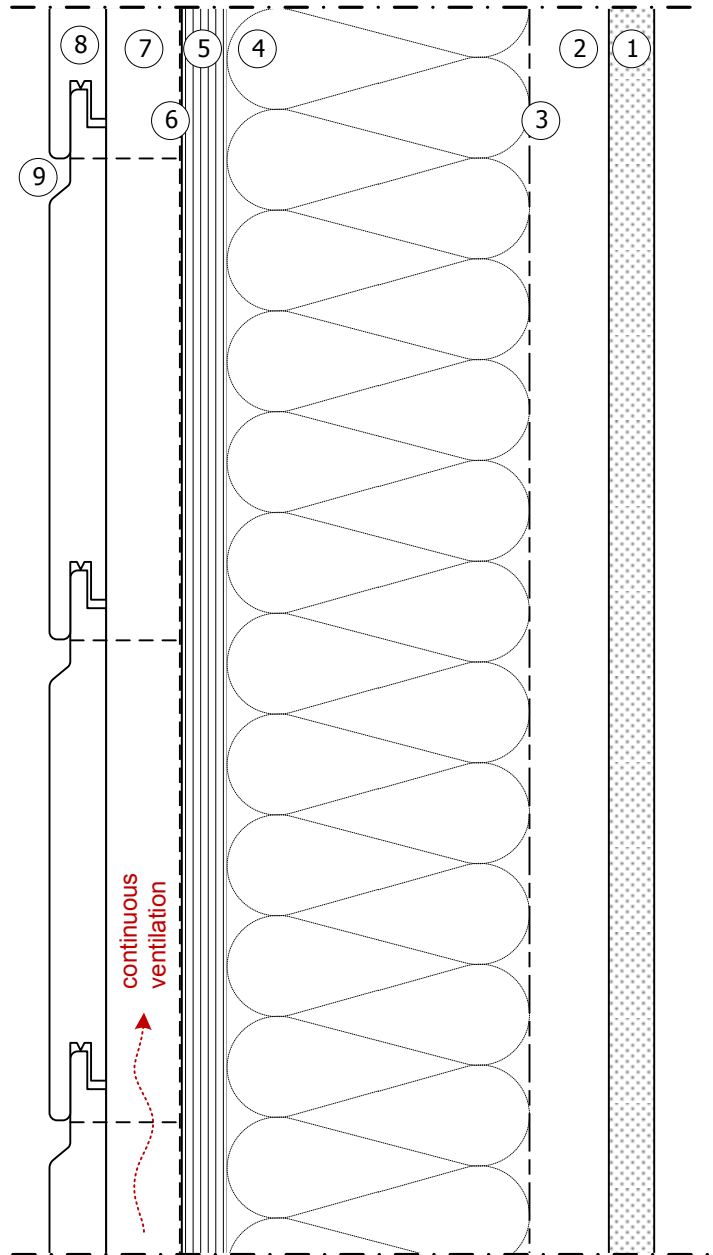
ACCOYA® and the Trimarque Device are registered trademarks owned by Titan Wood Limited, Trading as "Accsys Technologies", a wholly owned subsidiary of Accsys Technologies PLC. The trademarks ACCOYA® and the Trimarque Device may not be used or reproduced without written permission from Accsys Technologies. ACCOYA® wood should always be installed and used in accordance with the written instructions and guidelines of Accsys Technologies and/or its agents (available upon request). Accsys Technologies accepts no liability for any defect, damage or loss that may occur where such written instructions and guidelines are not adhered to. No liability is accepted in relation to any coating, fastener or other product of a third party applied to ACCOYA® wood. Please refer to [accoya.com/downloads] for further information and full terms and conditions.

- 1 Room lining (such as plaster board).
- 2 Service void (optional, may also be filled with insulation material).
- 3 Air barrier / vapour control layer.
- 4 Wall structure (wooden structural frame filled with a suitable insulation material of sufficient thickness to achieve required values).
- 5 Structural sheathing board.
- 6 Water repellent breather membrane - UV resistant in case of open joints.
- 7 Vertical timber battens of at least 38 x 19 mm of durability class 1 or 2.
- 8 Accoya® LT AC 01 horizontal cladding board, available from James Latham in 15x145 and 15x195 mm.
- 9 Ring shank or other improved nails:
  - grade 1.4301 (general applications) or grade 1.4401 (coastal or industrial sites)
  - Holes pre-drilled:
    - 1 mm less than nail Ø
    - to 80% of screw shank Ø
    - Point side penetration  $\geq 6 \times d$  (ring shank) /  $12 \times d$  (smooth)



Joints

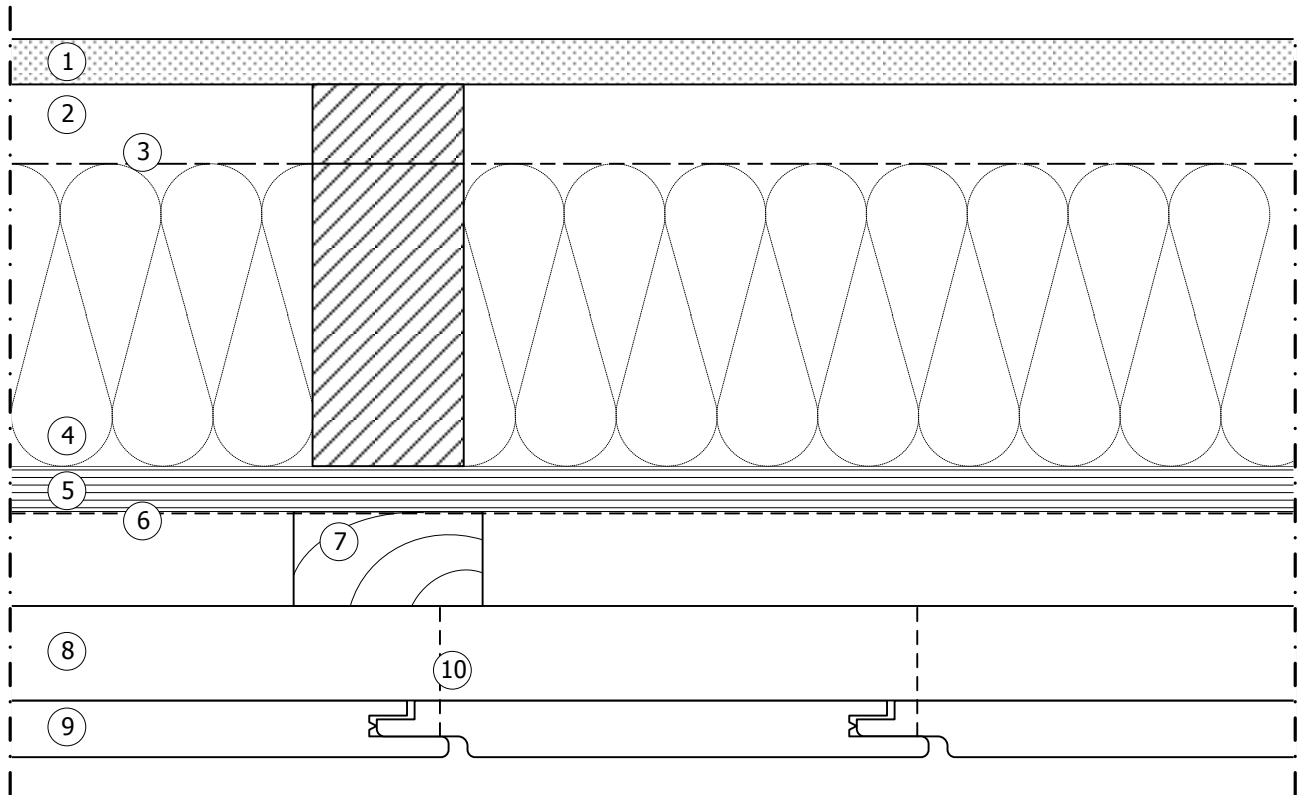
The crusher bead milled into the LT AC 01 Accoya® cladding board insures sufficient mutual distance between the boards, with an increased installing speed. When meeting other construction elements and/or between the length of two boards, a free space of 5 - 10 mm should be allowed for.



The drawing shows the rough principles but are not meant to contain actual products. The system used must be designed to the specific project requirements, in accordance with all applicable building standards and regulations. The strength of the total system - spacing, number and type of fasteners required for the occurring wind load - must always be checked by a licensed engineer. To the best of the knowledge and belief of Accsys Technologies PLC the information contained in this document is in accordance with common building practice and is provided on the basis that Accsys Technologies and/or any of its affiliates, officers, employees or advisers are not liable for any loss or damage whatsoever in respect of the accuracy or completeness of such information or the result of having acted upon it.

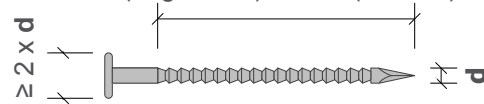


ACCOYA® and the Trimarque Device are registered trademarks owned by Titan Wood Limited, Trading as "Accsys Technologies", a wholly owned subsidiary of Accsys Technologies PLC. The trademarks ACCOYA® and the Trimarque Device may not be used or reproduced without written permission from Accsys Technologies. ACCOYA® wood should always be installed and used in accordance with the written instructions and guidelines of Accsys Technologies and/or its agents (available upon request). Accsys Technologies accepts no liability for any defect, damage or loss that may occur where such written instructions and guidelines are not adhered to. No liability is accepted in relation to any coating, fastener or other product of a third party applied to ACCOYA® wood. Please refer to [accoya.com/downloads] for further information and full terms and conditions.



- 1 Room lining (such as plaster board).
- 2 Service void (optional, may also be filled with insulation material).
- 3 Air barrier / vapour control layer.
- 4 Wall structure (wooden structural frame filled with a suitable insulation material of sufficient thickness to achieve required values).
- 5 Structural sheathing board.
- 6 Water repellent breather membrane - UV resistant in case of open joints.
- 7 Vertical timber counter battens of durability class 1 or 2.
- 8 Horizontal timber battens of at least 50 x 25 mm, of durability class 1 or 2.
- 9 Accoya® LT AC 02 vertical cladding board, available from James Latham in 15x145 mm and 15x195 mm.

- 10 Ring shank or other improved nails:
  - grade 1.4301 (general applications) or grade 1.4401 (coastal or industrial sites)
  - Holes pre-drilled:
    - 1 mm less than nail  $\varnothing$
    - to 80% of screw shank  $\varnothing$

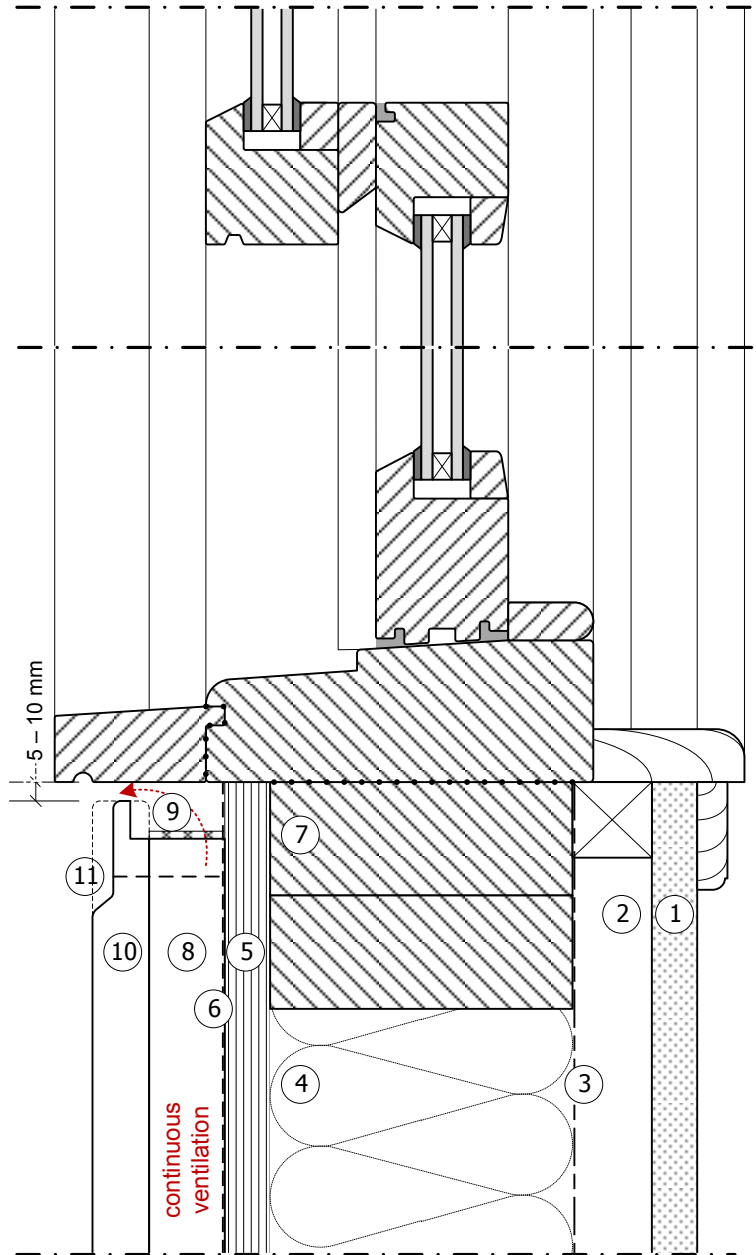
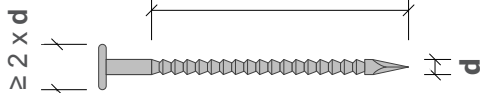


Joints

The crusher bead milled into the LT AC 02 Accoya® cladding board insures sufficient mutual distance between the boards, with an increased installing speed. When meeting other construction elements and/or between the length of two boards, a free space of 5 - 10 mm should be allowed for.

The drawing shows the rough principles but are not meant to contain actual products. The system used must be designed to the specific project requirements, in accordance with all applicable building standards and regulations. The strength of the total system - spacing, number and type of fasteners required for the occurring wind load - must always be checked by a licensed engineer. To the best of the knowledge and belief of Accsys Technologies PLC the information contained in this document is in accordance with common building practice and is provided on the basis that Accsys Technologies and/or any of its affiliates, officers, employees or advisers are not liable for any loss or damage whatsoever in respect of the accuracy or completeness of such information or the result of having acted upon it.

- 1 Room lining (such as plaster board).
- 2 Service void (optional, may also be filled with insulation material).
- 3 Air barrier / vapour control layer.
- 4 Wall structure (wooden structural frame filled with a suitable insulation material of sufficient thickness to achieve required values).
- 5 Structural sheathing board.
- 6 Water repellent breather membrane - UV resistant in case of open joints.
- 7 Framing.
- 8 Vertical timber battens of at least 38 x 19 mm of durability class 1 or 2.
- 9 Vermin mesh of corrosion resistant metal, hole width  $\leq 4$  mm. Void area in line with ventilation requirements.
- 10 Accoya® LT AC 01 horizontal cladding board, available from James Latham in 15x145 and 15x195 mm.
- 11 Ring shank or other improved nails:
  - grade 1.4301 (general applications) or grade 1.4401 (coastal or industrial sites)
  - Holes pre-drilled:
    - 1 mm less than nail  $\varnothing$
    - to 80% of screw shank  $\varnothing$

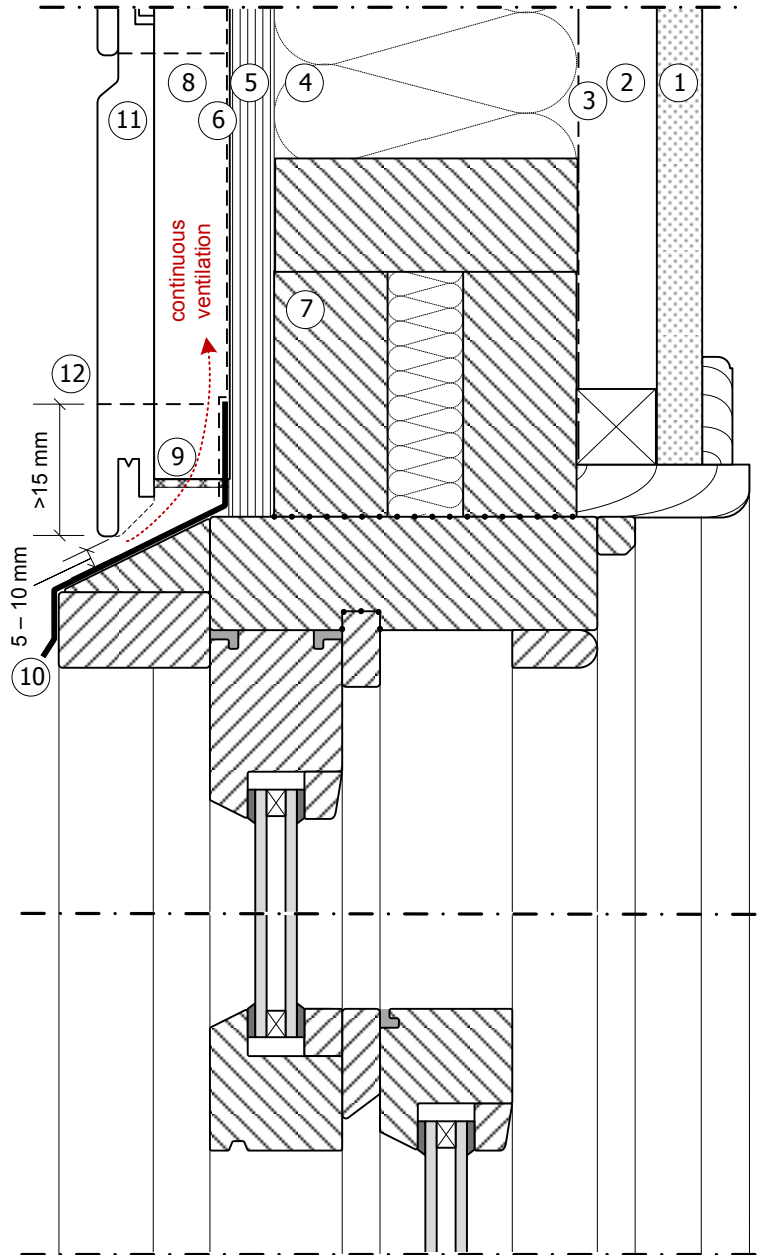
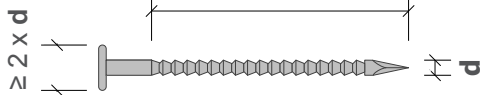


The drawing shows the rough principles but are not meant to contain actual products. The system used must be designed to the specific project requirements, in accordance with all applicable building standards and regulations. The strength of the total system - spacing, number and type of fasteners required for the occurring wind load - must always be checked by a licensed engineer. To the best of the knowledge and belief of Accsys Technologies PLC the information contained in this document is in accordance with common building practice and is provided on the basis that Accsys Technologies and/or any of its affiliates, officers, employees or advisers are not liable for any loss or damage whatsoever in respect of the accuracy or completeness of such information or the result of having acted upon it.



ACCOYA® and the Trimarque Device are registered trademarks owned by Titan Wood Limited, Trading as "Accsys Technologies", a wholly owned subsidiary of Accsys Technologies PLC. The trademarks ACCOYA® and the Trimarque Device may not be used or reproduced without written permission from Accsys Technologies. ACCOYA® wood should always be installed and used in accordance with the written instructions and guidelines of Accsys Technologies and/or its agents (available upon request). Accsys Technologies accepts no liability for any defect, damage or loss that may occur where such written instructions and guidelines are not adhered to. No liability is accepted in relation to any coating, fastener or other product of a third party applied to ACCOYA® wood. Please refer to [accoya.com/downloads] for further information and full terms and conditions.

- 1 Room lining (such as plaster board).
- 2 Service void (optional, may also be filled with insulation material).
- 3 Air barrier / vapour control layer.
- 4 Wall structure (wooden structural frame filled with a suitable insulation material of sufficient thickness to achieve required values).
- 5 Structural sheathing board.
- 6 Water repellent breather membrane - UV resistant in case of open joints.
- 7 Framing.
- 8 Vertical timber battens of at least 38 x 19 mm of durability class 1 or 2.
- 9 Vermin mesh of corrosion resistant metal, hole width  $\leq 4$  mm. Void area in line with ventilation requirements.
- 10 Preformed corrosion resistant metal flashing.
- 11 Accoya® LT AC 01 horizontal cladding board, available from James Latham in 15x145 and 15x195 mm.
- 12 Ring shank or other improved nails:
  - grade 1.4301 (general applications) or grade 1.4401 (coastal or industrial sites)
  - Holes pre-drilled:
    - 1 mm less than nail  $\varnothing$
    - to 80% of screw shank  $\varnothing$

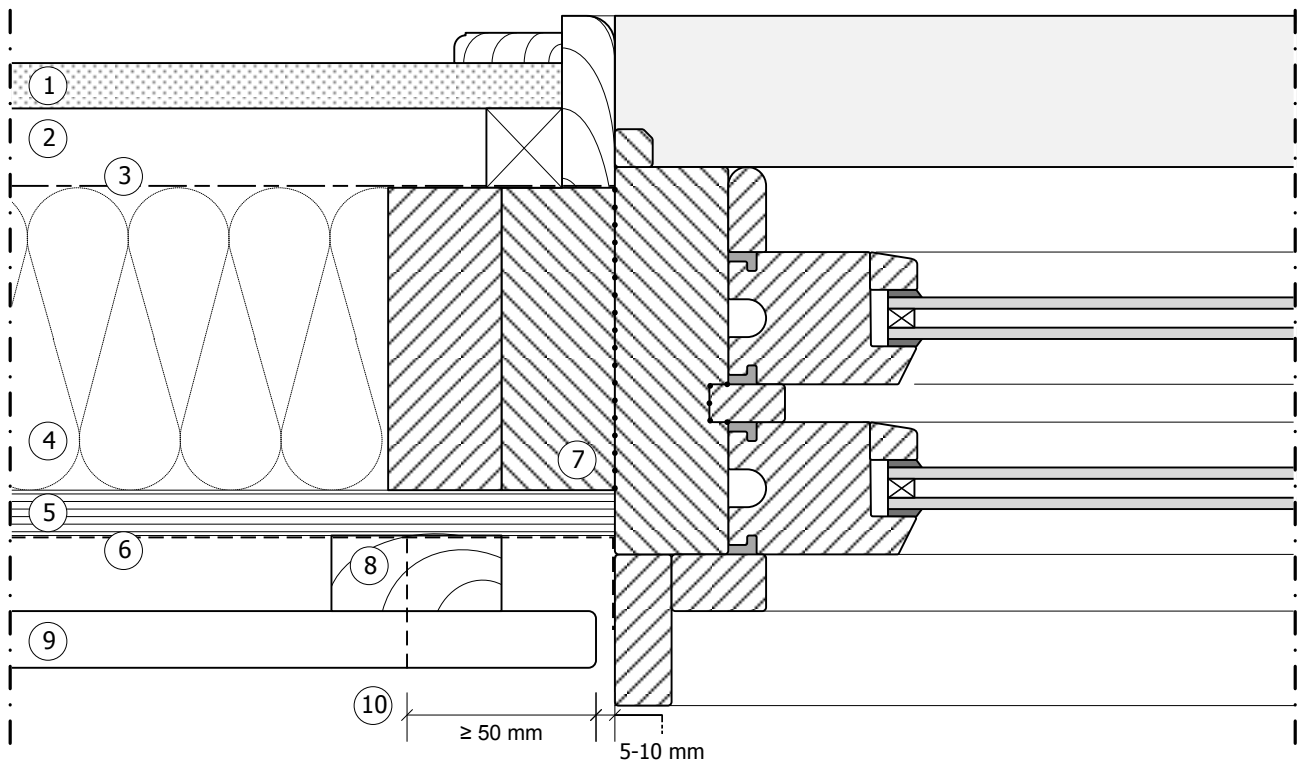


The drawing shows the rough principles but are not meant to contain actual products. The system used must be designed to the specific project requirements, in accordance with all applicable building standards and regulations. The strength of the total system - spacing, number and type of fasteners required for the occurring wind load - must always be checked by a licensed engineer. To the best of the knowledge and belief of Accsys Technologies PLC the information contained in this document is in accordance with common building practice and is provided on the basis that Accsys Technologies and/or any of its affiliates, officers, employees or advisers are not liable for any loss or damage whatsoever in respect of the accuracy or completeness of such information or the result of having acted upon it.



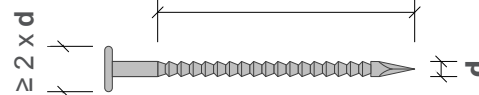
ACCOYA® and the Trimarque Device are registered trademarks owned by Titan Wood Limited, Trading as "Accsys Technologies", a wholly owned subsidiary of Accsys Technologies PLC. The trademarks ACCOYA® and the Trimarque Device may not be used or reproduced without written permission from Accsys Technologies. ACCOYA® wood should always be installed and used in accordance with the written instructions and guidelines of Accsys Technologies and/or its agents (available upon request). Accsys Technologies accepts no liability for any defect, damage or loss that may occur where such written instructions and guidelines are not adhered to. No liability is accepted in relation to any coating, fastener or other product of a third party applied to ACCOYA® wood. Please refer to [accoya.com/downloads] for further information and full terms and conditions.





- 1 Room lining (such as plaster board).
- 2 Service void (optional, may also be filled with insulation material).
- 3 Air barrier / vapour control layer.
- 4 Wall structure (wooden structural frame filled with a suitable insulation material of sufficient thickness to achieve required values).
- 5 Structural sheathing board.
- 6 Water repellent breather membrane - UV resistant in case of open joints.
- 7 Framing.
- 8 Vertical timber battens of at least 38 x 19 mm of durability class 1 or 2.
- 9 Accoya® LT AC 01 horizontal cladding board, available from James Latham in 15x145 and 15x195 mm.

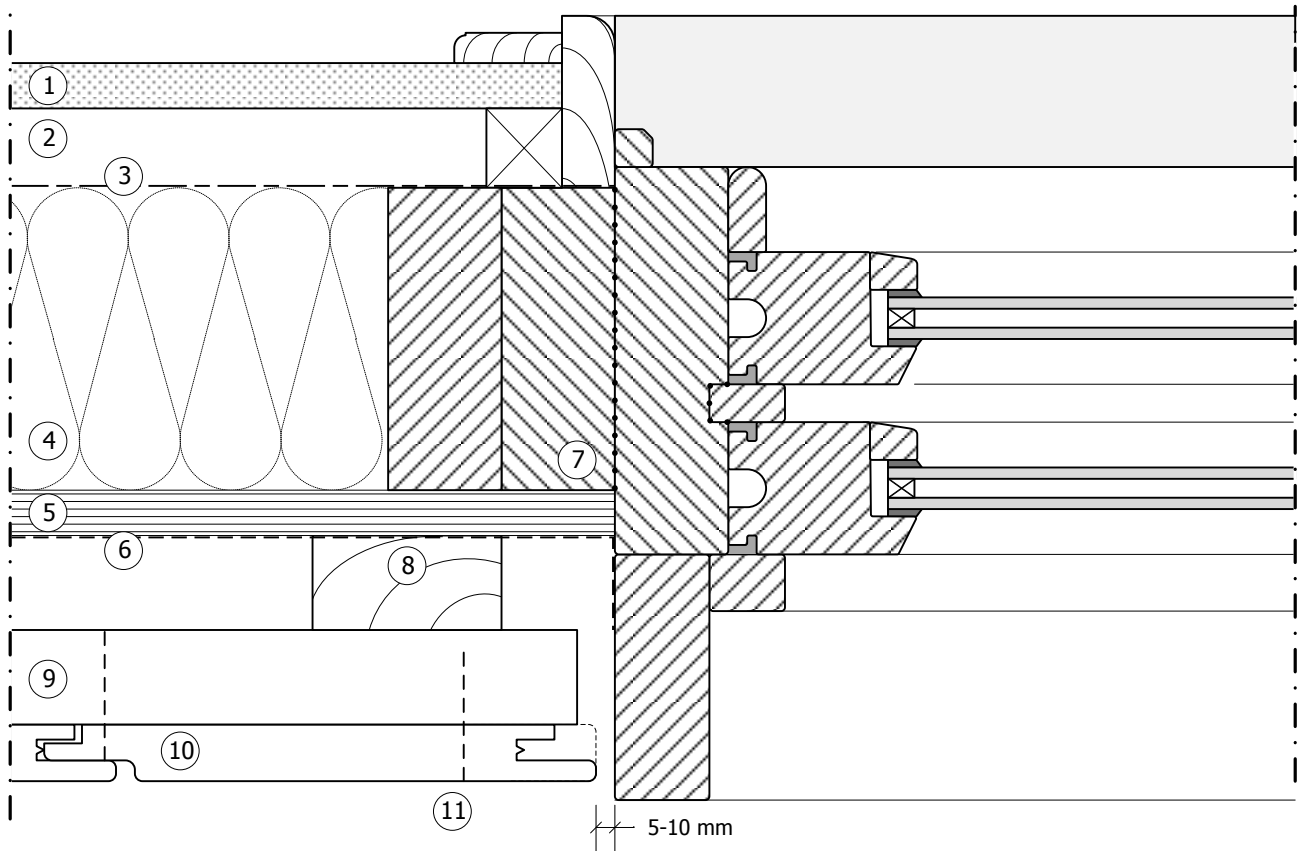
- 10 Ring shank or other improved nails:
  - grade 1.4301 (general applications) or grade 1.4401 (coastal or industrial sites)
  - Holes pre-drilled:
    - 1 mm less than nail Ø
    - to 80% of screw shank Ø
    - Point side penetration  $\geq 6xd$  (ring shank) /  $12xd$  (smooth)



#### Joints

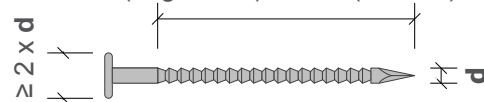
The crusher bead milled into the LT AC 01 Accoya® cladding board insures sufficient mutual distance between the boards, with an increased installing speed. When meeting other construction elements and/or between the length of two boards, a free space of 5 - 10 mm should be allowed for.

The drawing shows the rough principles but are not meant to contain actual products. The system used must be designed to the specific project requirements, in accordance with all applicable building standards and regulations. The strength of the total system - spacing, number and type of fasteners required for the occurring wind load - must always be checked by a licensed engineer. To the best of the knowledge and belief of Accsys Technologies PLC the information contained in this document is in accordance with common building practice and is provided on the basis that Accsys Technologies and/or any of its affiliates, officers, employees or advisers are not liable for any loss or damage whatsoever in respect of the accuracy or completeness of such information or the result of having acted upon it.



- 1 Room lining (such as plaster board).
- 2 Service void (optional, may also be filled with insulation material).
- 3 Air barrier / vapour control layer.
- 4 Wall structure (wooden structural frame filled with a suitable insulation material of sufficient thickness to achieve required values).
- 5 Structural sheathing board.
- 6 Water repellent breather membrane - UV resistant in case of open joints.
- 7 Framing.
- 8 Vertical timber counter battens of durability class 1 or 2.
- 9 Horizontal timber battens of at least 50 x 25 mm, of durability class 1 or 2.
- 10 Accoya® LT AC 02 vertical cladding board, available from James Latham in 15x145 mm and 15x195 mm.

- 11 Ring shank or other improved nails:
  - grade 1.4301 (general applications) or grade 1.4401 (coastal or industrial sites)
  - Holes pre-drilled:
    - 1 mm less than nail Ø
    - to 80% of screw shank Ø

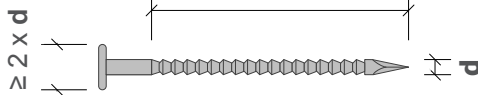
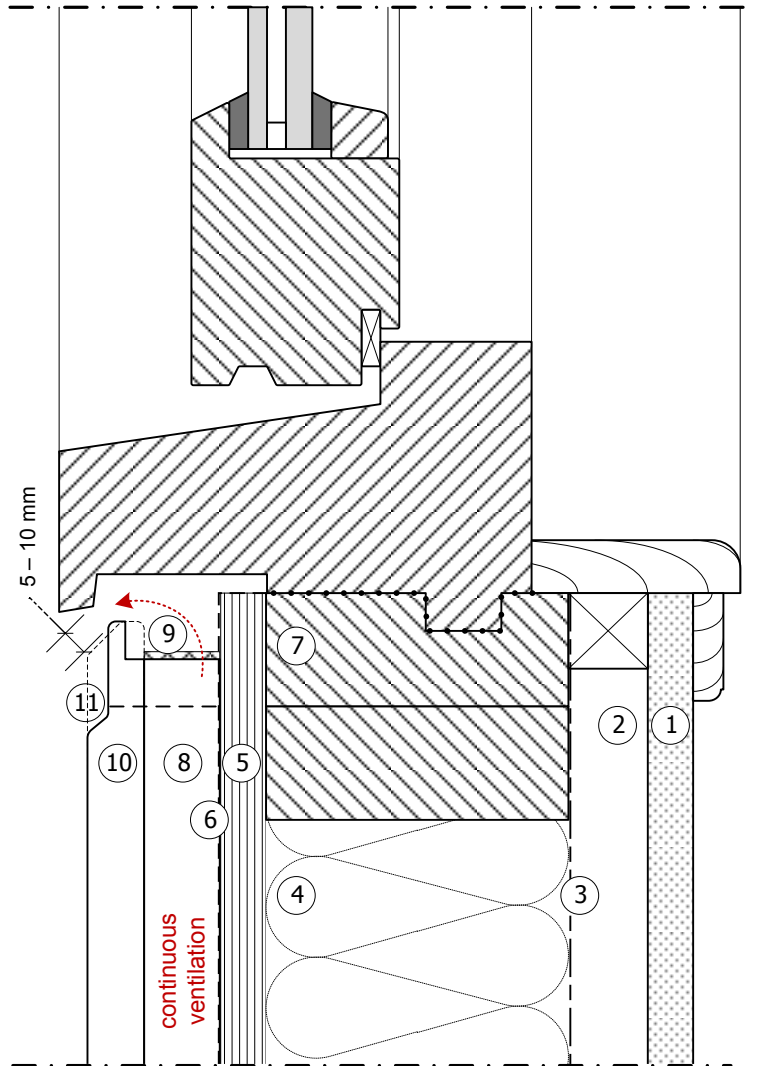


Joints

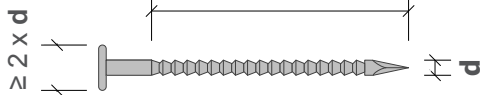
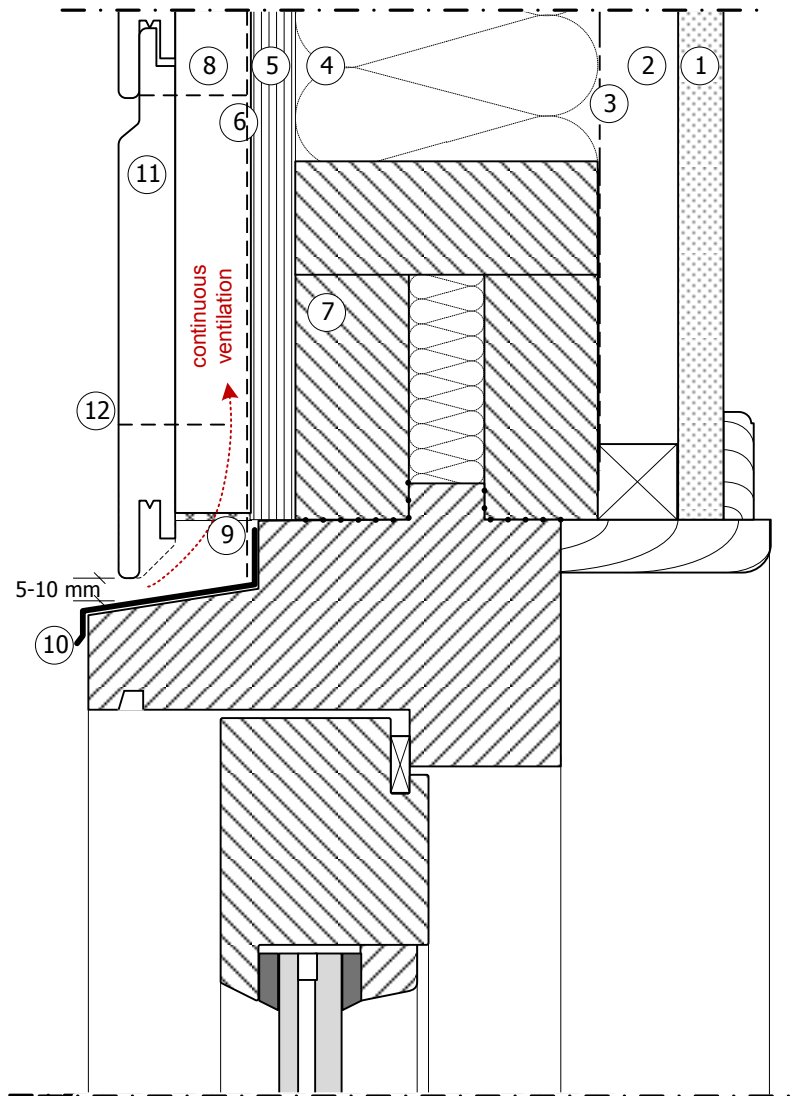
The crusher bead milled into the LT AC 02 Accoya® cladding board insures sufficient mutual distance between the boards, with an increased installing speed. When meeting other construction elements and/or between the length of two boards, a free space of 5 - 10 mm should be allowed for.

The drawing shows the rough principles but are not meant to contain actual products. The system used must be designed to the specific project requirements, in accordance with all applicable building standards and regulations. The strength of the total system - spacing, number and type of fasteners required for the occurring wind load - must always be checked by a licensed engineer. To the best of the knowledge and belief of Accsys Technologies PLC the information contained in this document is in accordance with common building practice and is provided on the basis that Accsys Technologies and/or any of its affiliates, officers, employees or advisers are not liable for any loss or damage whatsoever in respect of the accuracy or completeness of such information or the result of having acted upon it.

- 1 Room lining (such as plaster board).
- 2 Service void (optional, may also be filled with insulation material).
- 3 Air barrier / vapour control layer.
- 4 Wall structure (wooden structural frame filled with a suitable insulation material of sufficient thickness to achieve required values).
- 5 Structural sheathing board.
- 6 Water repellent breather membrane - UV resistant in case of open joints.
- 7 Framing.
- 8 Vertical timber battens of at least 38 x 19 mm of durability class 1 or 2.
- 9 Vermin mesh of corrosion resistant metal, hole width  $\leq 4$  mm. Void area in line with ventilation requirements.
- 10 Accoya® LT AC 01 horizontal cladding board, available from James Latham in 15x145 and 15x195 mm.
- 11 Ring shank or other improved nails:
  - grade 1.4301 (general applications) or grade 1.4401 (coastal or industrial sites)
  - Holes pre-drilled:
    - 1 mm less than nail  $\varnothing$
    - to 80% of screw shank  $\varnothing$
    - Point side penetration  $\geq 6 \times d$  (ring shank) /  $12 \times d$  (smooth)

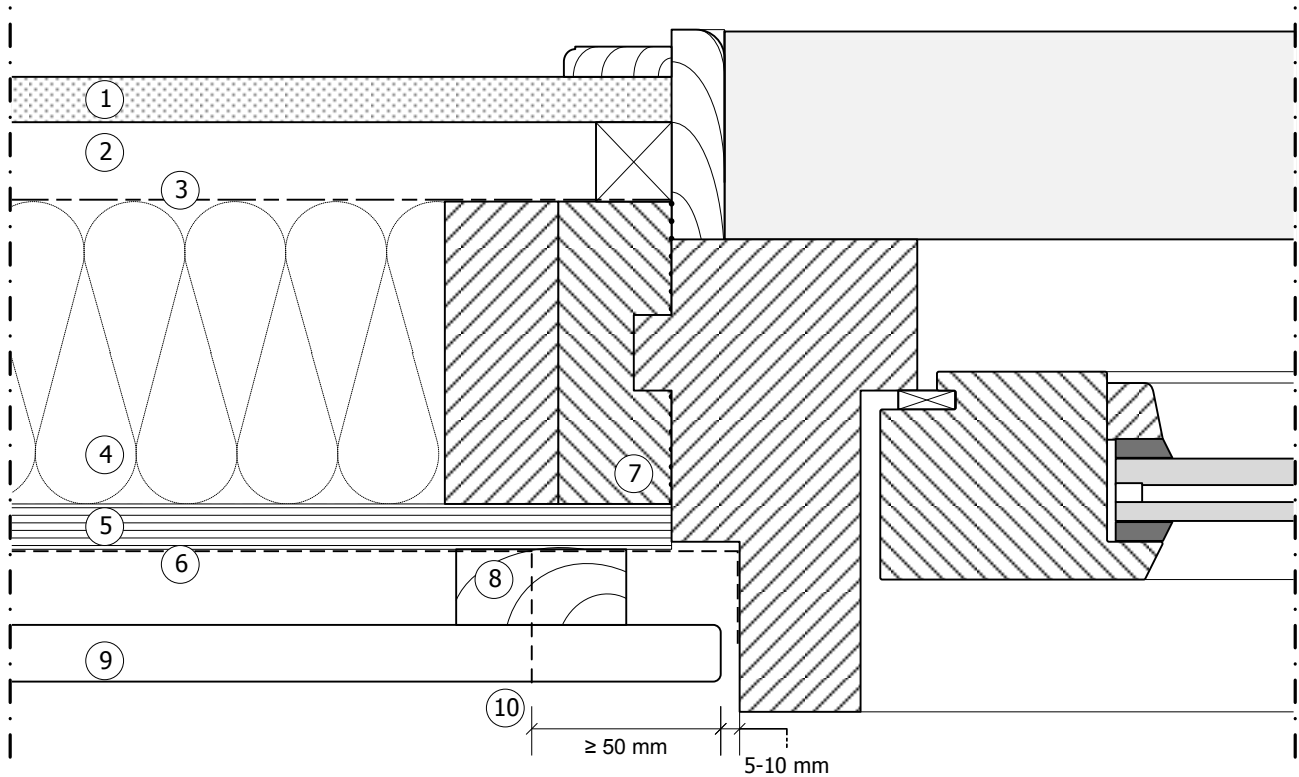


- 1 Room lining (such as plaster board).
- 2 Service void (optional, may also be filled with insulation material).
- 3 Air barrier / vapour control layer.
- 4 Wall structure (wooden structural frame filled with a suitable insulation material of sufficient thickness to achieve required values).
- 5 Structural sheathing board.
- 6 Water repellent breather membrane - UV resistant in case of open joints.
- 7 Framing.
- 8 Vertical timber battens of at least 38 x 19 mm of durability class 1 or 2.
- 9 Vermin mesh of corrosion resistant metal, max hole width 4 mm. Void area in line with ventilation requirements.
- 10 Preformed corrosion resistant metal flashing.
- 11 Accoya® LT AC 01 horizontal cladding board, available from James Latham in 15x145 and 15x195 mm.
- 12 Ring shank or other improved nails:
  - grade 1.4301 (general applications) or grade 1.4401 (coastal or industrial sites)
  - Holes pre-drilled:
    - 1 mm less than nail Ø
    - to 80% of screw shank Ø



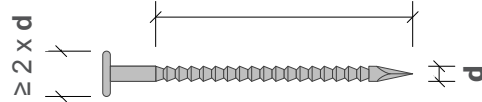
The drawing shows the rough principles but are not meant to contain actual products. The system used must be designed to the specific project requirements, in accordance with all applicable building standards and regulations. The strength of the total system - spacing, number and type of fasteners required for the occurring wind load - must always be checked by a licensed engineer. To the best of the knowledge and belief of Accsys Technologies PLC the information contained in this document is in accordance with common building practice and is provided on the basis that Accsys Technologies and/or any of its affiliates, officers, employees or advisers are not liable for any loss or damage whatsoever in respect of the accuracy or completeness of such information or the result of having acted upon it.

Title	Horizontal cladding – LT AC 01		
Detail	Window jamb		
Section	horizontal	Date	17.11.2015
Scale	1:2	Version	2.0 / HWI



- 1 Room lining (such as plaster board).
- 2 Service void (optional, may also be filled with insulation material).
- 3 Air barrier / vapour control layer.
- 4 Wall structure (wooden structural frame filled with a suitable insulation material of sufficient thickness to achieve required values).
- 5 Structural sheathing board.
- 6 Water repellent breather membrane - UV resistant in case of open joints.
- 7 Framing.
- 8 Vertical timber battens of at least 38 x 19 mm of durability class 1 or 2.
- 9 Accoya® LT AC 01 horizontal cladding board, available from James Latham in 15x145 and 15x195 mm.

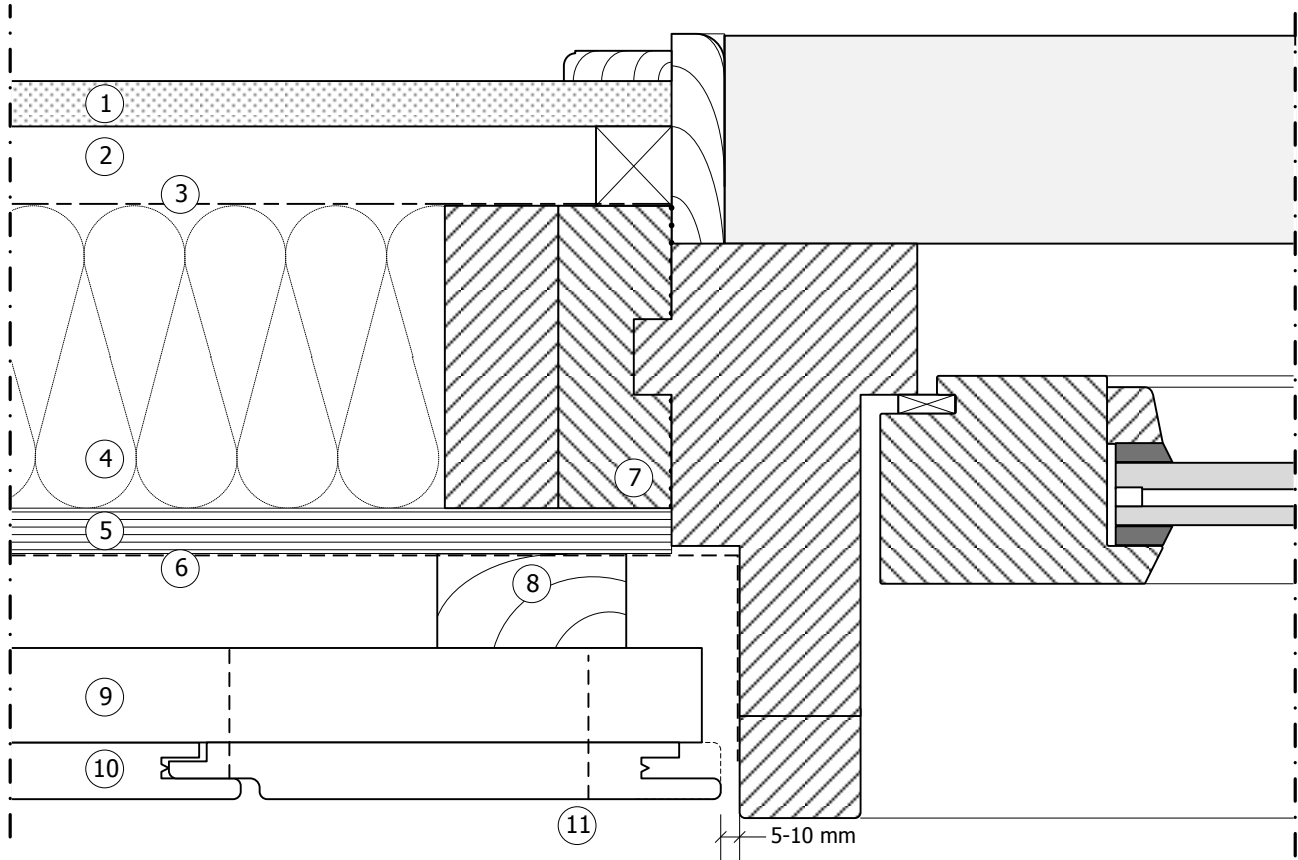
- 10 Ring shank or other improved nails:
  - grade 1.4301 (general applications) or grade 1.4401 (coastal or industrial sites)
  - Holes pre-drilled:
    - 1 mm less than nail Ø
    - to 80% of screw shank Ø
    - Point side penetration ≥ 6xd (ring shank) / 12xd (smooth)



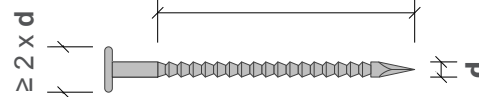
**Joints**

The crusher bead milled into the LT AC 01 Accoya® cladding board insures sufficient mutual distance between the boards, with an increased installing speed. When meeting other construction elements and/or between the length of two boards, a free space of 5 - 10 mm should be allowed for.

The drawing shows the rough principles but are not meant to contain actual products. The system used must be designed to the specific project requirements, in accordance with all applicable building standards and regulations. The strength of the total system - spacing, number and type of fasteners required for the occurring wind load - must always be checked by a licensed engineer. To the best of the knowledge and belief of Accsys Technologies PLC the information contained in this document is in accordance with common building practice and is provided on the basis that Accsys Technologies and/or any of its affiliates, officers, employees or advisers are not liable for any loss or damage whatsoever in respect of the accuracy or completeness of such information or the result of having acted upon it.



- 1 Room lining (such as plaster board).
- 2 Service void (optional, may also be filled with insulation material).
- 3 Air barrier / vapour control layer.
- 4 Wall structure (wooden structural frame filled with a suitable insulation material of sufficient thickness to achieve required values).
- 5 Structural sheathing board.
- 6 Water repellent breather membrane - UV resistant in case of open joints.
- 7 Framing.
- 8 Vertical timber counter battens of durability class 1 or 2.
- 9 Horizontal timber battens of at least 50 x 25 mm, of durability class 1 or 2.
- 10 Accoya® LT AC 02 vertical cladding board, available from James Latham in 15x145 mm and 15x195 mm.
- 11 Ring shank or other improved nails:
  - grade 1.4301 (general applications) or grade 1.4401 (coastal or industrial sites)
  - Holes pre-drilled:
    - 1 mm less than nail Ø
    - to 80% of screw shank Ø
    - Point side penetration  $\geq 6x d$  (ring shank) /  $12x d$  (smooth)



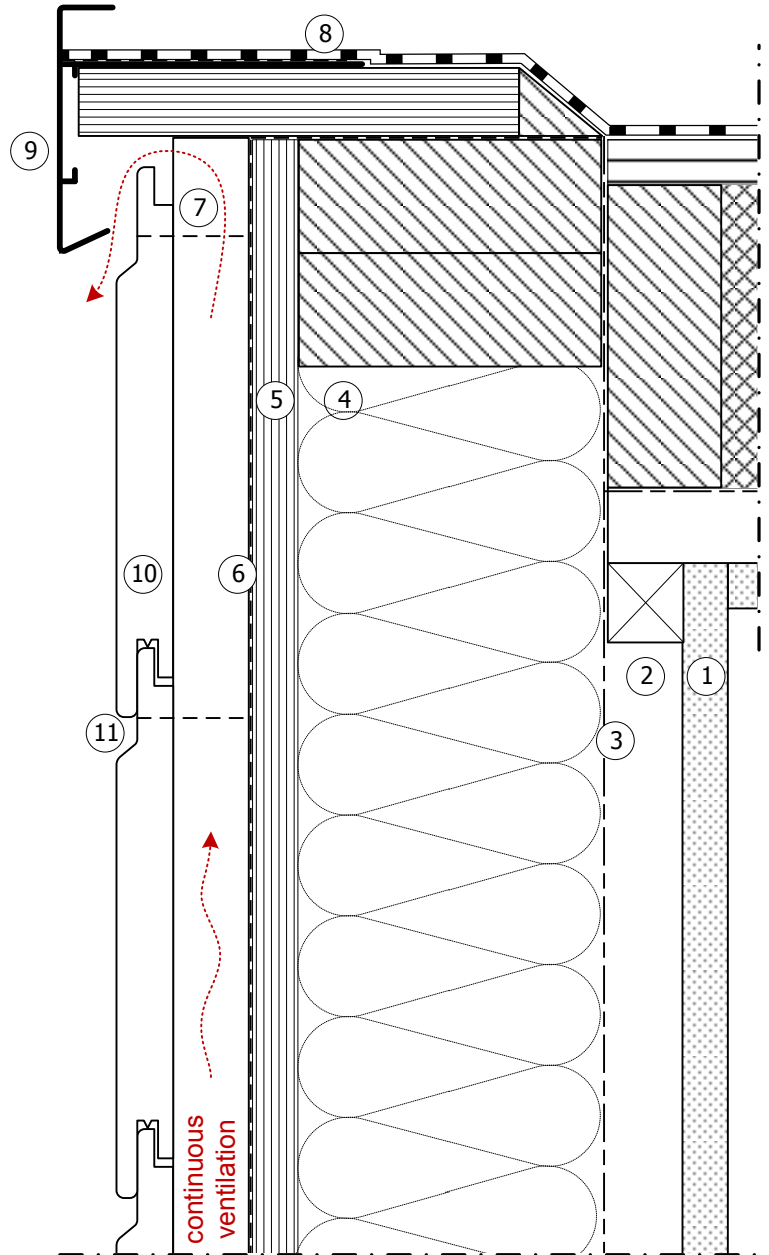
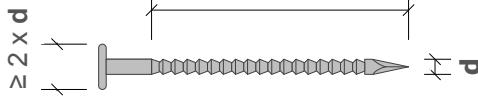
#### Joints

The crusher bead milled into the LT AC 02 Accoya® cladding board insures sufficient mutual distance between the boards, with an increased installing speed. When meeting other construction elements and/or between the length of two boards, a free space of 5 - 10 mm should be allowed for.

The drawing shows the rough principles but are not meant to contain actual products. The system used must be designed to the specific project requirements, in accordance with all applicable building standards and regulations. The strength of the total system - spacing, number and type of fasteners required for the occurring wind load - must always be checked by a licensed engineer. To the best of the knowledge and belief of Accsys Technologies PLC the information contained in this document is in accordance with common building practice and is provided on the basis that Accsys Technologies and/or any of its affiliates, officers, employees or advisers are not liable for any loss or damage whatsoever in respect of the accuracy or completeness of such information or the result of having acted upon it.

Title	Horizontal cladding – LT AC 01		
Detail	Roof trim		
Section	vertical	Date	17.11.2015
Scale	1:2	Version	2.0 / HWI

- 1 Room lining (such as plaster board).
- 2 Service void (optional, may also be filled with insulation material).
- 3 Air barrier / vapour control layer.
- 4 Wall structure (wooden structural frame filled with a suitable insulation material of sufficient thickness to achieve required values).
- 5 Structural sheathing board.
- 6 Water repellent breather membrane - UV resistant in case of open joints.
- 7 Vertical timber battens of at least 38 x 19 mm of durability class 1 or 2.
- 8 Roofing material to specification.
- 9 Roof trim (corrosion resistant), details to project requirements; a minimum gap of 5 mm should be kept between the surface of the panel and the trim to ensure ventilation.
- 10 Accoya® LT AC 01 horizontal cladding board, available from James Latham in 15x145 and 15x195 mm.
- 11 Ring shank or other improved nails:
  - grade 1.4301 (general applications) or grade 1.4401 (coastal or industrial sites)
  - Holes pre-drilled:
    - 1 mm less than nail Ø
    - to 80% of screw shank Ø
    - Point side penetration ≥ 6xd (ring shank) / 12xd (smooth)

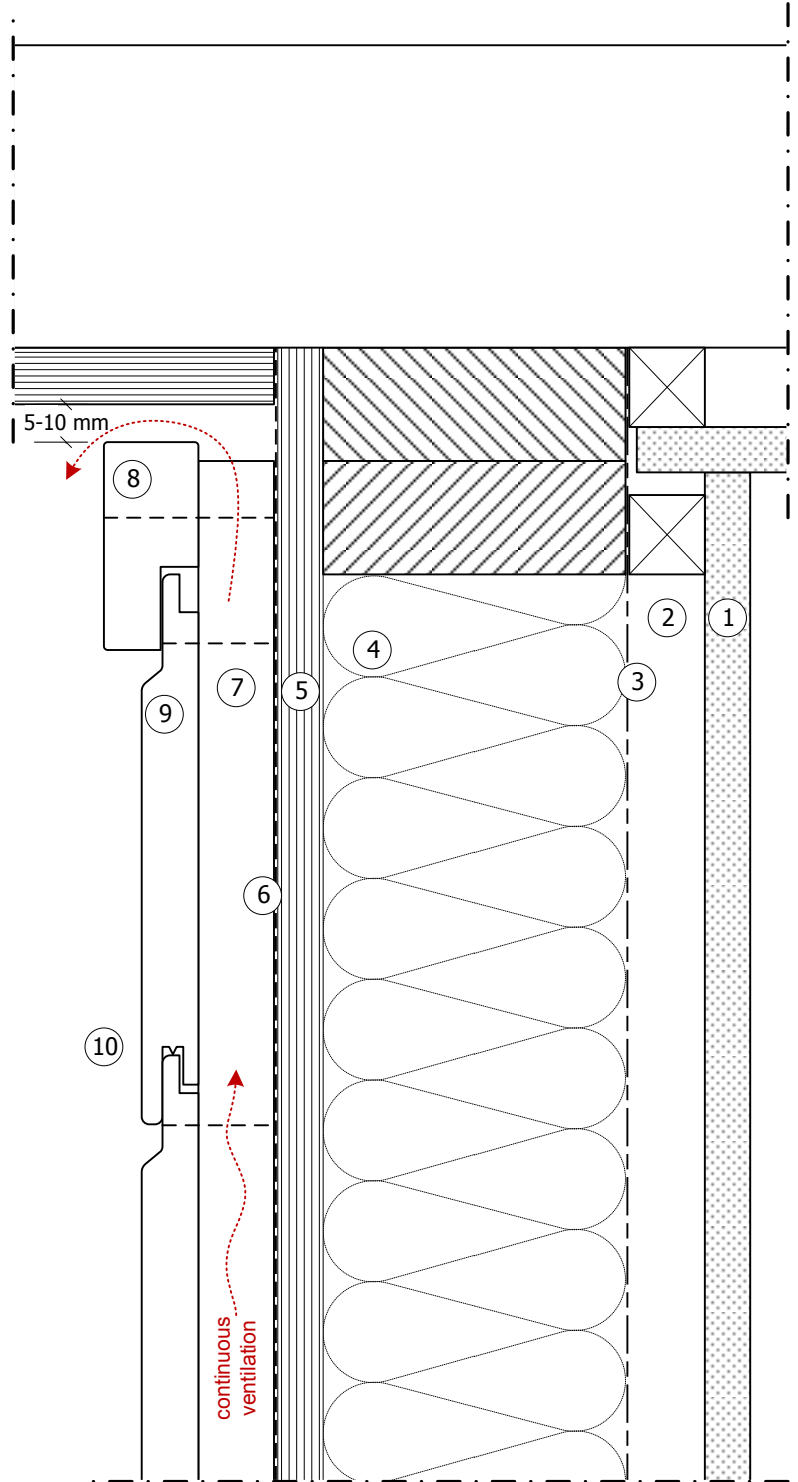
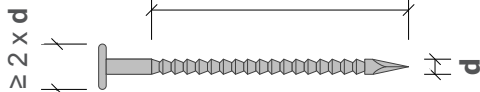


The drawing shows the rough principles but are not meant to contain actual products. The system used must be designed to the specific project requirements, in accordance with all applicable building standards and regulations. The strength of the total system - spacing, number and type of fasteners required for the occurring wind load - must always be checked by a licensed engineer. To the best of the knowledge and belief of Accsys Technologies PLC the information contained in this document is in accordance with common building practice and is provided on the basis that Accsys Technologies and/or any of its affiliates, officers, employees or advisers are not liable for any loss or damage whatsoever in respect of the accuracy or completeness of such information or the result of having acted upon it.



ACCOYA® and the Trimarque Device are registered trademarks owned by Titan Wood Limited, Trading as "Accsys Technologies", a wholly owned subsidiary of Accsys Technologies PLC. The trademarks ACCOYA® and the Trimarque Device may not be used or reproduced without written permission from Accsys Technologies. ACCOYA® wood should always be installed and used in accordance with the written instructions and guidelines of Accsys Technologies and/or its agents (available upon request). Accsys Technologies accepts no liability for any defect, damage or loss that may occur where such written instructions and guidelines are not adhered to. No liability is accepted in relation to any coating, fastener or other product of a third party applied to ACCOYA® wood. Please refer to [accoya.com/downloads] for further information and full terms and conditions.

- 1 Room lining (such as plaster board).
- 2 Service void (optional, may also be filled with insulation material).
- 3 Air barrier / vapour control layer.
- 4 Wall structure (wooden structural frame filled with a suitable insulation material of sufficient thickness to achieve required values).
- 5 Structural sheathing board.
- 6 Water repellent breather membrane - UV resistant in case of open joints.
- 7 Vertical timber battens of at least 38 x 19 mm of durability class 1 or 2.
- 8 Accoya® frieze board
- 9 Accoya® LT AC 01 horizontal cladding board, available from James Latham in 15x145 and 15x195 mm.
- 10 Ring shank or other improved nails:
  - grade 1.4301 (general applications) or grade 1.4401 (coastal or industrial sites)
  - Holes pre-drilled:
    - 1 mm less than nail Ø
    - to 80% of screw shank Ø

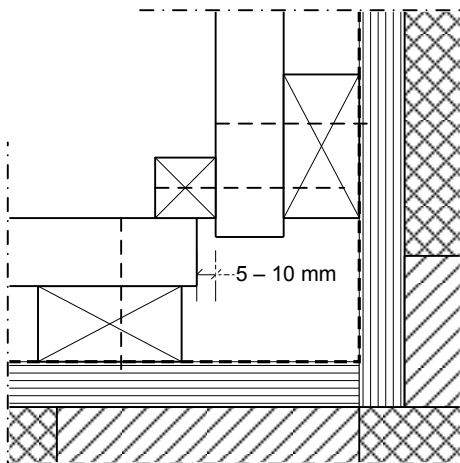
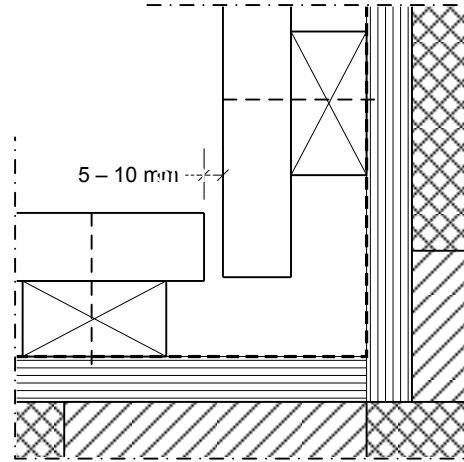
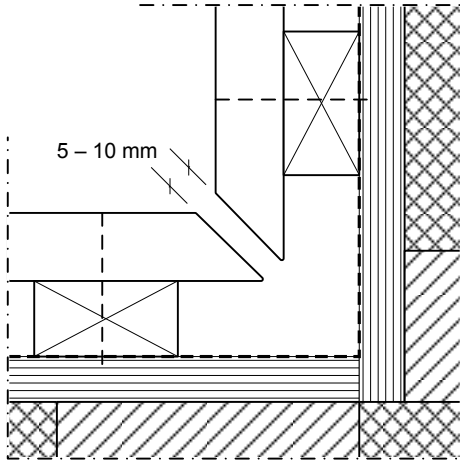


The drawing shows the rough principles but are not meant to contain actual products. The system used must be designed to the specific project requirements, in accordance with all applicable building standards and regulations. The strength of the total system - spacing, number and type of fasteners required for the occurring wind load - must always be checked by a licensed engineer. To the best of the knowledge and belief of Accsys Technologies PLC the information contained in this document is in accordance with common building practice and is provided on the basis that Accsys Technologies and/or any of its affiliates, officers, employees or advisers are not liable for any loss or damage whatsoever in respect of the accuracy or completeness of such information or the result of having acted upon it.



ACCOYA® and the Trimarque Device are registered trademarks owned by Titan Wood Limited, Trading as "Accsys Technologies", a wholly owned subsidiary of Accsys Technologies PLC. The trademarks ACCOYA® and the Trimarque Device may not be used or reproduced without written permission from Accsys Technologies. ACCOYA® wood should always be installed and used in accordance with the written instructions and guidelines of Accsys Technologies and/or its agents (available upon request). Accsys Technologies accepts no liability for any defect, damage or loss that may occur where such written instructions and guidelines are not adhered to. No liability is accepted in relation to any coating, fastener or other product of a third party applied to ACCOYA® wood. Please refer to [accoya.com/downloads] for further information and full terms and conditions.

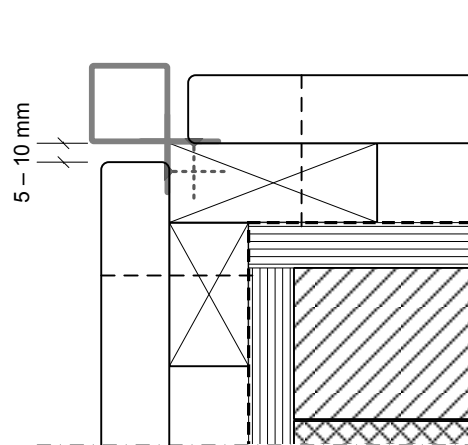
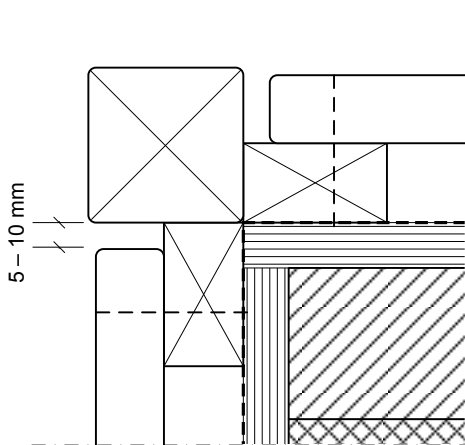
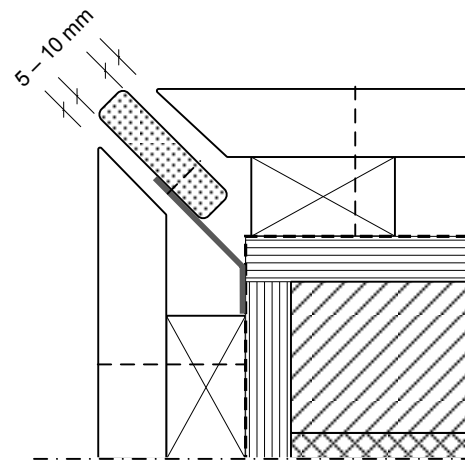
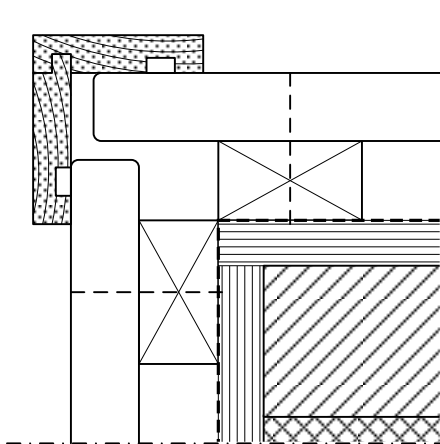
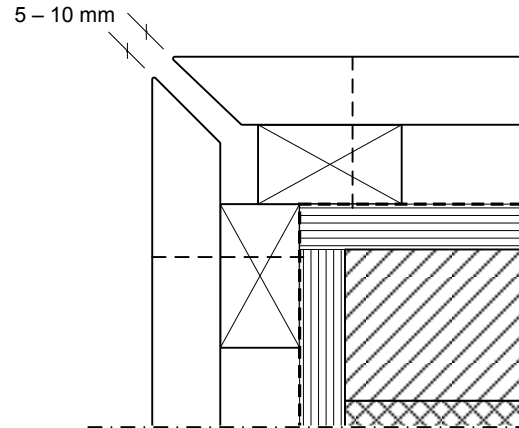
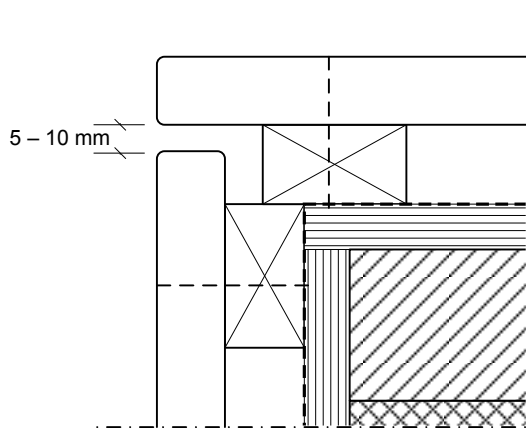




Joints

The crusher bead milled into the LT AC 01/02 Accoya® cladding board insures sufficient mutual distance between the boards, with an increased installing speed. When meeting other construction elements and/or between the length of two boards, a free space of 5 - 10 mm should be allowed for.

The drawing shows the rough principles but are not meant to contain actual products. The system used must be designed to the specific project requirements, in accordance with all applicable building standards and regulations. The strength of the total system - spacing, number and type of fasteners required for the occurring wind load - must always be checked by a licensed engineer. To the best of the knowledge and belief of Accsys Technologies PLC the information contained in this document is in accordance with common building practice and is provided on the basis that Accsys Technologies and/or any of its affiliates, officers, employees or advisers are not liable for any loss or damage whatsoever in respect of the accuracy or completeness of such information or the result of having acted upon it.



Joints

The crusher bead milled into the LT AC 01/02 Accoya® cladding board insures sufficient mutual distance between the boards, with an increased installing speed. When meeting other construction elements and/or between the length of two boards, a free space of 5 - 10 mm should be allowed for.

The drawing shows the rough principles but are not meant to contain actual products. The system used must be designed to the specific project requirements, in accordance with all applicable building standards and regulations. The strength of the total system - spacing, number and type of fasteners required for the occurring wind load - must always be checked by a licensed engineer. To the best of the knowledge and belief of Accsys Technologies PLC the information contained in this document is in accordance with common building practice and is provided on the basis that Accsys Technologies and/or any of its affiliates, officers, employees or advisers are not liable for any loss or damage whatsoever in respect of the accuracy or completeness of such information or the result of having acted upon it.

ACCOYA® and the Trimarque Device are registered trademarks owned by Titan Wood Limited, Trading as "Accsys Technologies", a wholly owned subsidiary of Accsys Technologies PLC. The trademarks ACCOYA® and the Trimarque Device may not be used or reproduced without written permission from Accsys Technologies. ACCOYA® wood should always be installed and used in accordance with the written instructions and guidelines of Accsys Technologies and/or its agents (available upon request). Accsys Technologies accepts no liability for any defect, damage or loss that may occur where such written instructions and guidelines are not adhered to. No liability is accepted in relation to any coating, fastener or other product of a third party applied to ACCOYA® wood. Please refer to [accoya.com/downloads] for further information and full terms and conditions.